



# INSTALLATION INSTRUCTIONS

Accessory  
**LOWER DOOR CHROME TRIM**  
P/N 08F57-TZ3-200

Application  
**2015 TLX**

Publications No.  
**VERSION 1**  
Issue Date  
**JULY 2014**

## PARTS LIST

Left front lower door chrome trim



Right front lower door chrome trim



Left rear lower door chrome trim



Right rear lower door chrome trim



8 Clips



4 Alcohol swabs



## TOOLS AND SUPPLIES REQUIRED

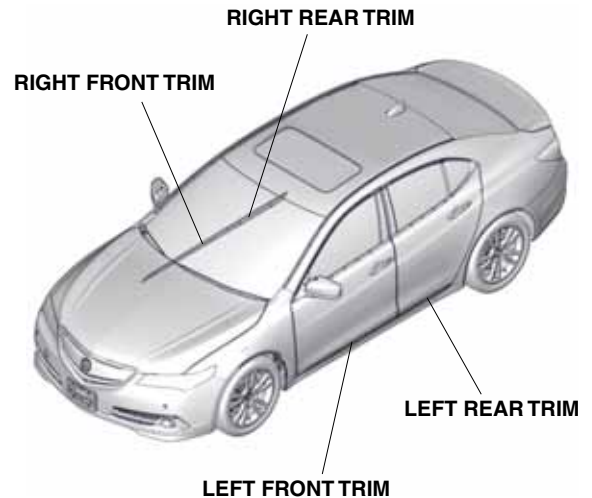
Masking tape

Ruler

*The following tool is available through the Honda Tool and Equipment Program. On the iN, click on: Service > Service Bay > Tool and Equipment Program, then enter the number under "Search". Or, call 888-424-6857.*

- Rubber Roller (T/N MHLE54D)

### **Illustration of the Lower Door Chrome Trim on the Vehicle**



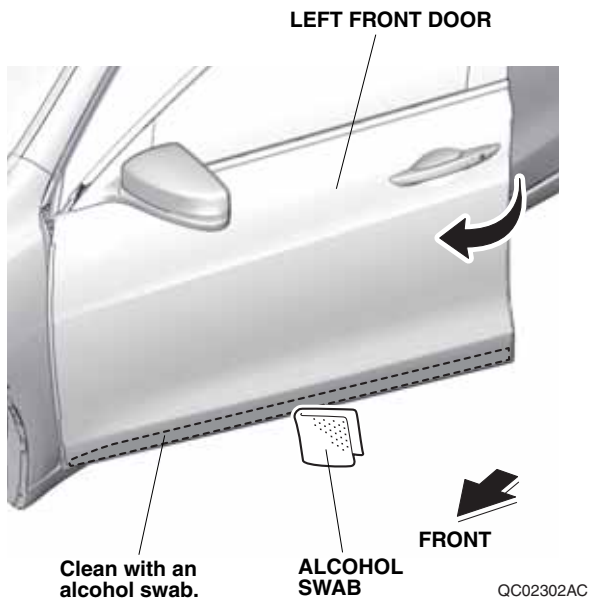
QC02301AC

## INSTALLATION

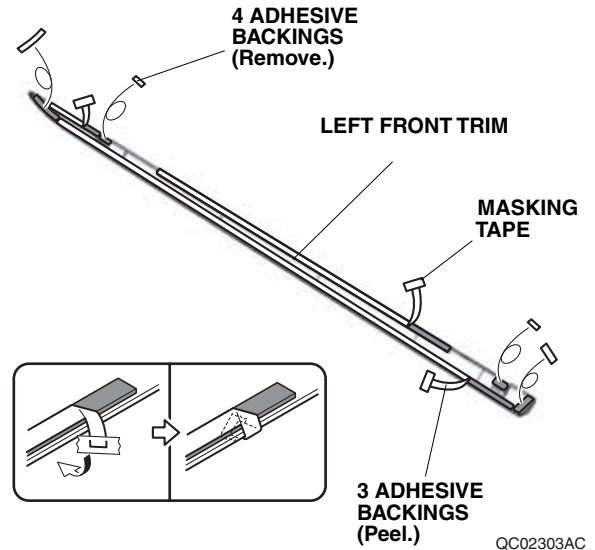
**Client Information:** The information in this installation instruction is intended for use only by skilled technicians who have the proper tools, equipment, and training to correctly and safely add equipment to your vehicle. These procedures should not be attempted by “do-it-yourselfers.”

### NOTE:

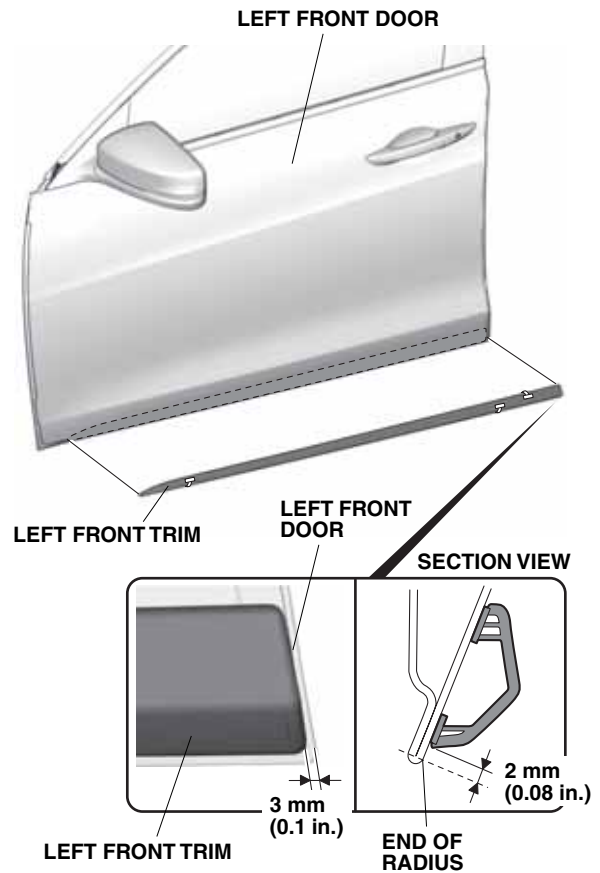
- If you are also installing side under spoilers, install them before you install the lower chrome trim.
  - Do not damage the paint finish.
  - This kit should be installed only if the ambient air temperature is 15°C (60°F) or above.
  - To allow the adhesive to cure, do not wash the vehicle for 24 hours. Please advise the client.
1. Open the left front door. Using one alcohol swab, thoroughly clean the door where the left front lower trim will attach.



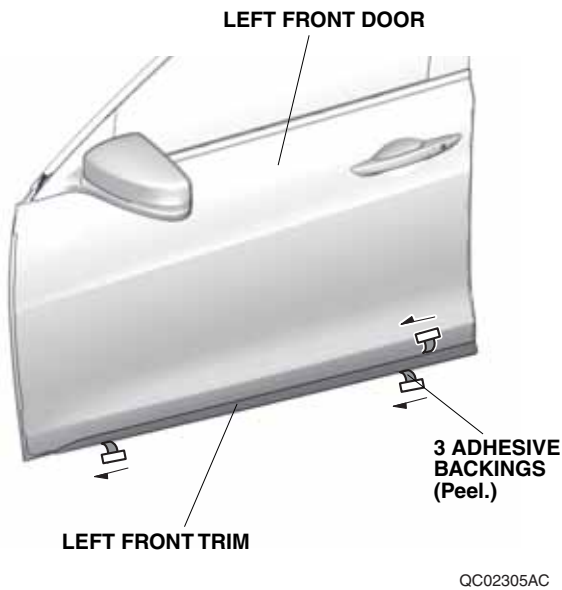
2. Peel back the adhesive backings, and tape them to the front surface of the left front trim with masking tape. Remove the small adhesive backings at each end.



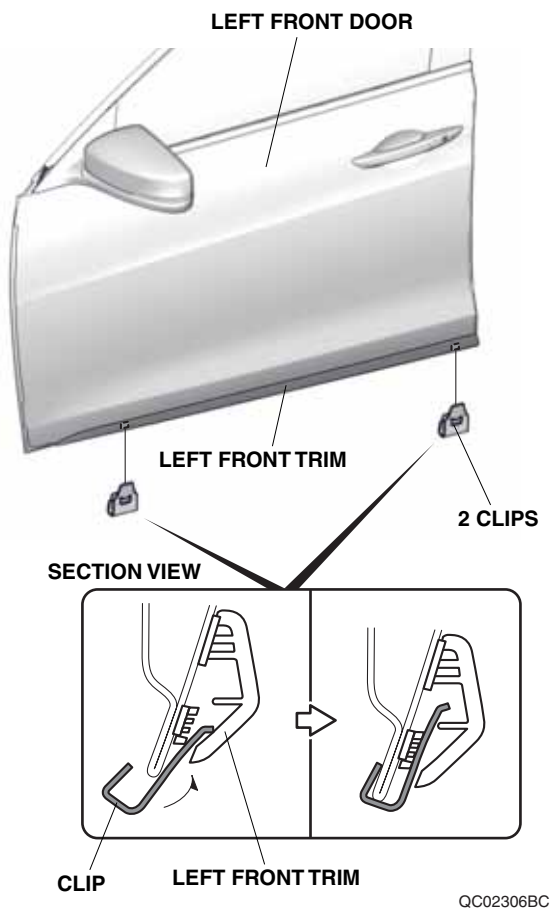
3. Align and attach the left front trim as shown.



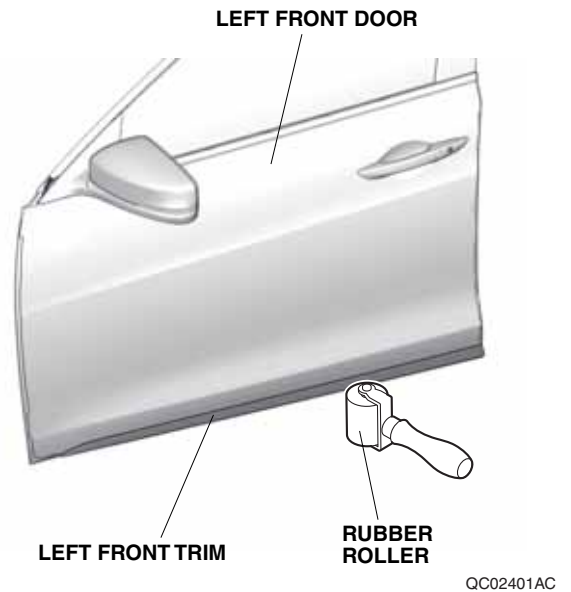
- While applying light pressure against the trim, carefully remove the taped adhesive backings.



- Secure the trim to the door with the two clips provided.



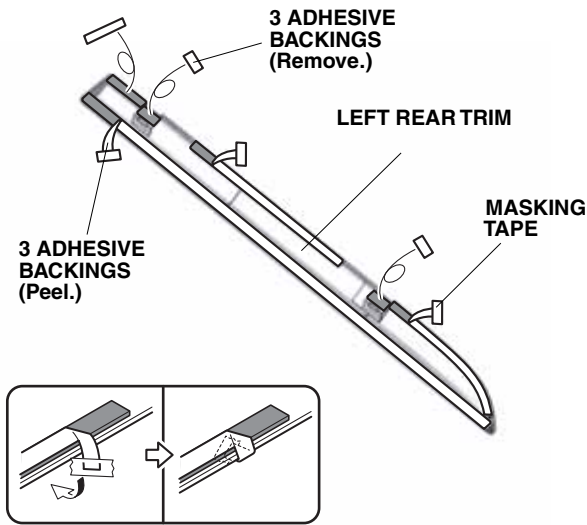
- Using a rubber roller, apply firm pressure against the trim and roll from one end to the other. Apply firm pressure, especially at the ends.



- Open the left rear door. Using one alcohol swab, thoroughly clean the door where the left rear trim will attach.

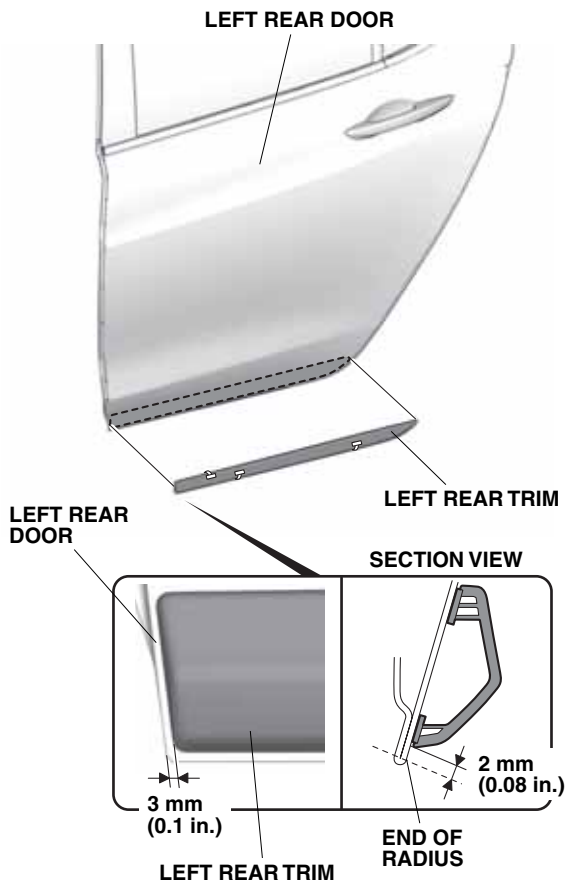


8. Peel back the adhesive backings, and tape them to the front surface of the left rear trim with masking tapes. Remove the small adhesive backings at each end.



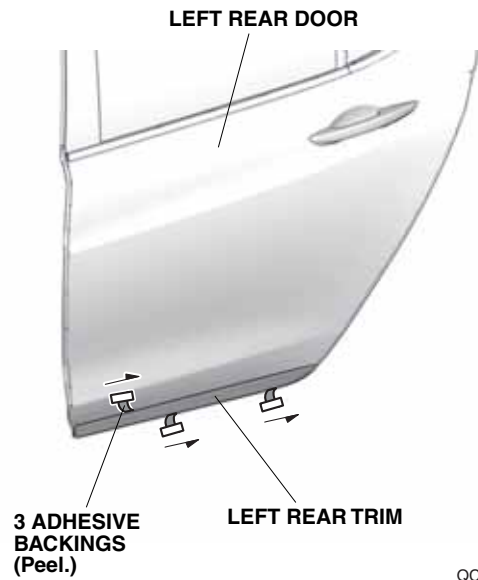
QC02403AC

9. Align and attach the left rear trim as shown.



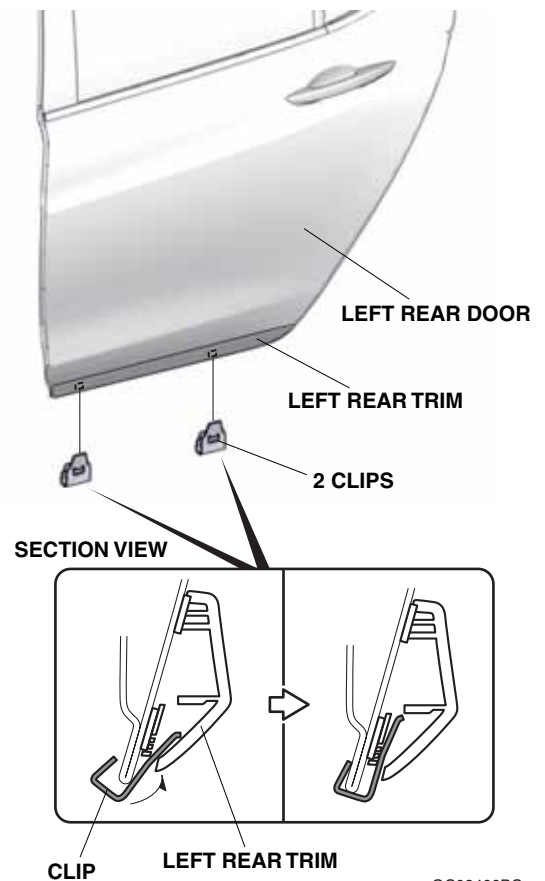
QC02404BC

10. While applying light pressure against the trim, carefully remove the taped adhesive backings.



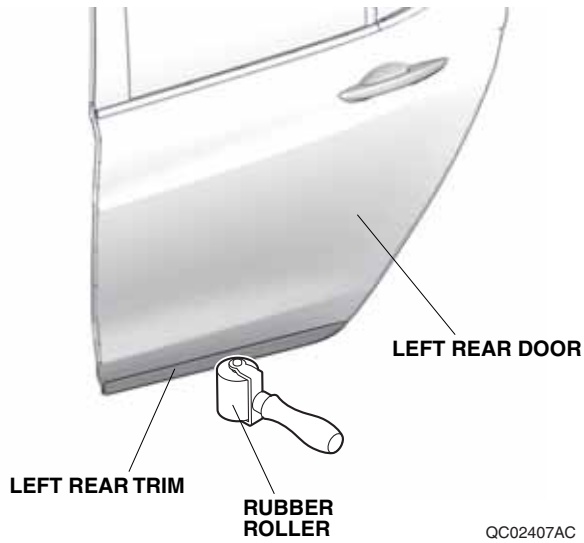
QC02405AC

11. Secure the trim to the door with the two clips provided.



QC02406BC

- Using a rubber roller, apply firm pressure against the trim and roll from one end to the other. Apply firm pressure, especially at the ends.



- Repeat steps 1 through 12 to install the lower trim on the right side of the vehicle.